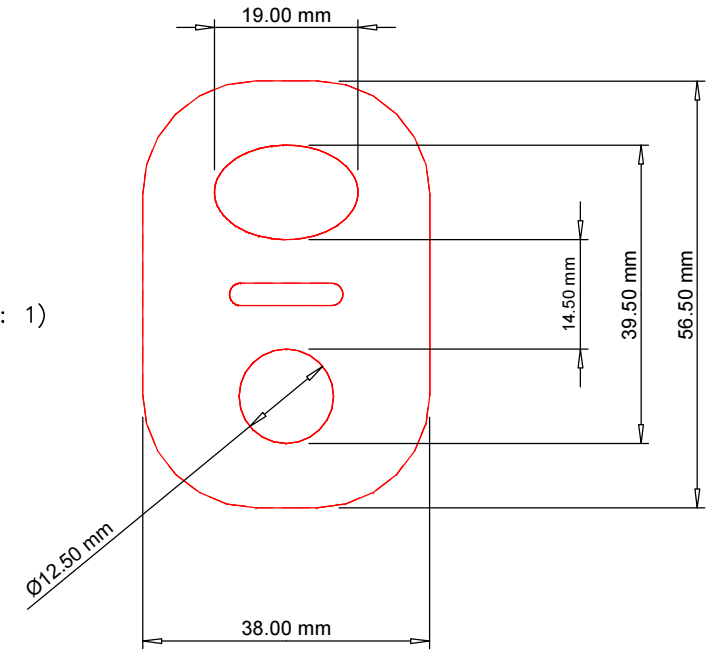
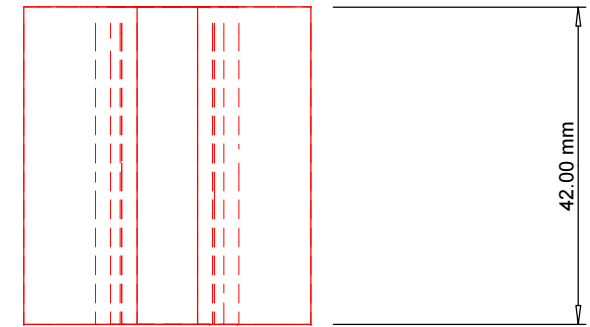


AUXILIARY VIEW (1 : 1)



TOP VIEW (1 : 1)



SIDE VIEW (1 : 1)

NOTES:

1. MATERIAL: POLYURETHANE
HIGH TEMPERTURE SPEC
2. FINISH: COLOUR = RED
3. ALL DIMENSIONS AS PER FINISHED PARTS

MACHINING, WELDING & FABRICATION
TOLERANCES UNLESS NOTED OTHERWISE
(ALL DIMENSIONS IN MILLIMETRES)
HOLE CENTRES ± 0.2
WELDING PROCESS TYPE - TIG
TOLERANCES - UNLESS NOTED

MACHINED SURFACES	0.2	INTEGER (X)	± 0.3
		1-DECIMAL (,X)	± 0.1
		2-DECIMAL (.XX)	± 0.05
		ANGULAR	± 0.5

DESCRIPTION
EXHAUST MOUNT
EXH016

© COPYRIGHT. ALL RIGHTS RESERVED
THIS DRAWING IS STRICTLY CONFIDENTIAL AND MUST NOT BE
COPIED, REPRODUCED OR ADAPTED, NOR MAY ARTICLES BE
MANUFACTURED IN ACCORDANCE WITH THE DRAWING WITHOUT
PRIOR WRITTEN PERMISSION OF POWERFLEX.



MATERIAL
POLYURETHANE

DRAWING No.
EXH016

REV
0

ORIGINAL ISSUE	P.S.	10/10/13
REVISION	BY	CHKD
	DATE	